

Series MX pressure regulators

MX2 ports: G3/8, G1/2, G3/4 - MX3 ports: G3/4, G1

Manifold ports: G1/2 (MX2 only)

Modular - Available with built-in pressure gauges or ports for gauges

SERIES MX PRESSURE REGULATORS



- » Minimal pressure decreases
- » Knob with closure
- » Tamper-proof system (lockable regulator)
- » Integral return exhaust (relieving)
- » Available versions: Manifold, with by-pass valve

The availability of constant values of the secondary pressure ensures performance optimization and energy saving. The tamper-proof system allows to adjust pressure safely with primary pressure compensation. All reducers are equipped with an integrated locking system and built-in pressure gauges for a more compact product. The regulators Series MX are suitable also for panel mountings.

The Series MX has been realized to offer a multi-sector solution that guarantees saving in terms of installation time, space and costs.

A special configurator, available on Camozzi website at <http://catalogue.camozzi.com> (sec. Configurators), allows the customer to choose the most suitable solution for his application, selecting single components or by configuring assembled FRLs.

GENERAL DATA

Construction	modular, compact, diaphragm type
Materials	see TABLE OF MATERIALS on the following page
Ports	MX2: G3/8 - G1/2 - G3/4 - MX3: G3/4 - G1 Manifold regulator: G1/2 (MX2 only)
Mounting	vertical in-line, wall-mounting (by means of clamps), panel mounting
Operating temperature	-5°C ÷ 50°C up to 16 bar (with the dew point of the fluid lower than 2°C at the min. working temperature) -5°C ÷ 60°C up to 10 bar (with the dew point of the fluid lower than 2°C at the min. working temperature)
Inlet pressure	0 ÷ 16 bar
Outlet pressure	0.5 ÷ 10 bar (standard) 0.5 ÷ 4 bar 0.5 ÷ 7 bar (MX2 only)
Overpressure exhaust	with relieving (standard) or without relieving
Nominal flow	see FLOW DIAGRAMS on the following pages
Fluid	compressed air
Pressure gauge	built-in pressure gauge (standard) with G1/4 port (MX3 only) or G1/8 port (MX2 only)

CODING EXAMPLE

MX	2	-	3/8	-	R	0	0	4	-	LH
-----------	----------	----------	------------	----------	----------	----------	----------	----------	----------	-----------

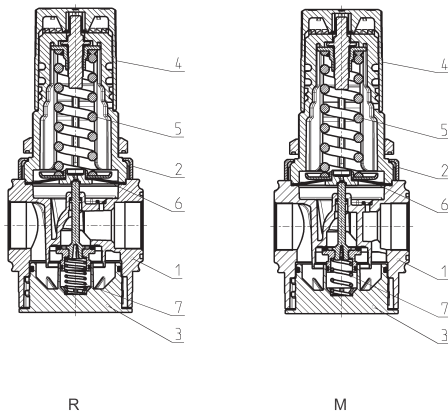
MX	SERIES
2	SIZE: 2 = G3/8 - G1/2 - G3/4 3 = G3/4 - G1
3/8	PORTS: 3/8 = G3/8 1/2 = G1/2 3/4 = G3/4 1 = G1
R	TYPER OF REGULATOR: R = pressure regulator M = Manifold pressure regulator (MX2 - G1/2 only)
0	OPERATING PRESSURE (1 bar = 14,5 psi): 0 = 0.5 ÷ 10 bar (standard) 4 = 0.5 ÷ 4 bar 7 = 0.5 ÷ 7 bar (MX2 only)
0	DESIGN TYPE: 0 = relieving (standard) 1 = without relieving 2 = relieving, with by-pass valve (only regulator) 3 = without relieving, with by-pass valve (only regulator)
4	PRESSURE GAUGE: 0 = without pressure gauge (with threaded port for gauges) 2 = with built-in pressure gauge 0-6 and working pressure 0.5 ÷ 4 bar 3 = with built-in pressure gauge 0-10 and working pressure 0.5 ÷ 7 bar (MX2 only) 4 = with built-in pressure gauge 0-12 and working pressure 0.5 ÷ 10 bar (standard)
LH	FLOW DIRECTION: = from left to right (standard) LH = from right to left

SERIES MX PRESSURE REGULATORS

For the assembly of a single component with fixing flanges or wall-mounting, see the section "FRL Series MX Assembled"

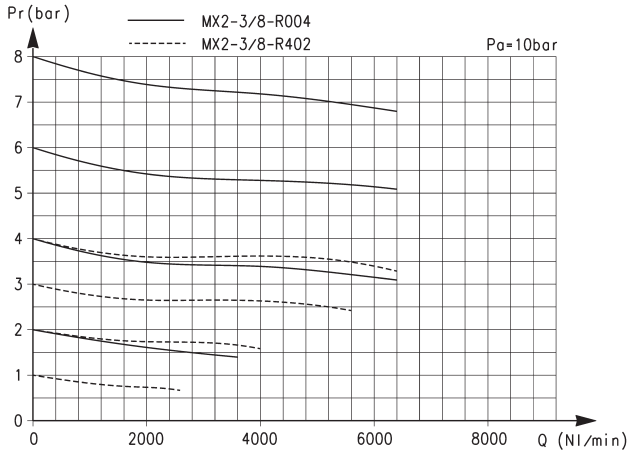
Pressure regulators Series MX - materials

R = pressure regulator
M = Manifold pressure regulator



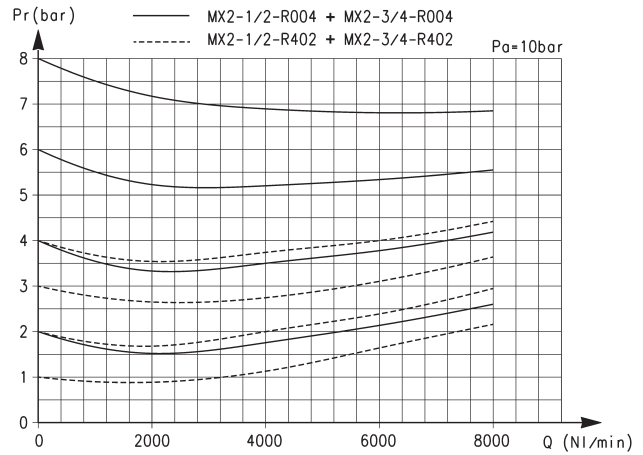
PARTS	MATERIALS
1 = Body	Aluminium
2 = Covering	Polyacetal
3 = Valve holder plug	Polyacetal
4 = Regulator knob	Polyamide
5 = Upper spring	Zinc-plated steel
6 = Diaphragm	NBR
7 = Lower spring	Stainless steel
Seals	NBR

MX2 PRESSURE REGULATORS FLOW DIAGRAMS



Pr = Regulated pressure (bar)
Q = Flow (NI/min)

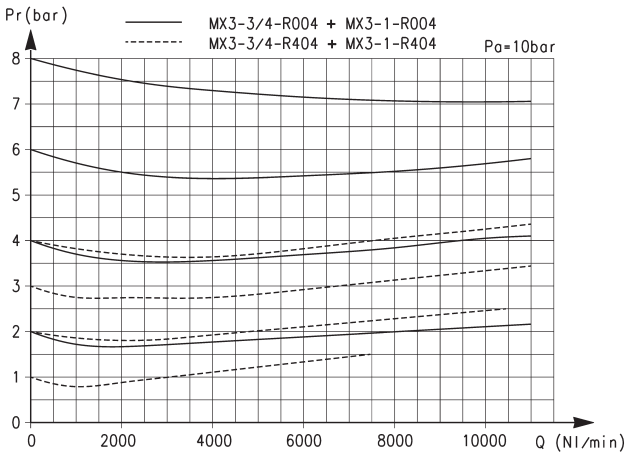
Pa = Inlet pressure (bar)



Pr = Regulated pressure (bar)
Q = Flow (NI/min)

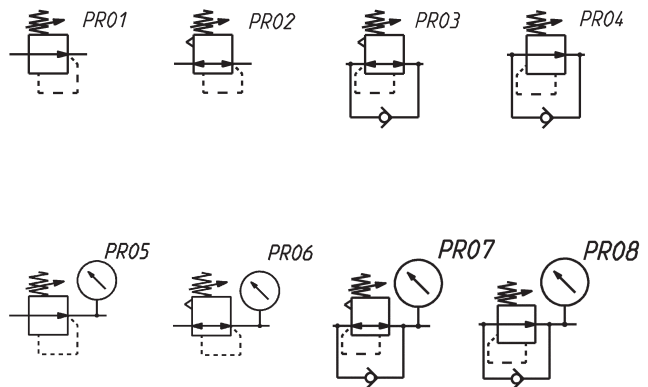
Pa = Inlet pressure (bar)

MX3 PRESSURE REGULATORS FLOW DIAGRAM AND PNEUMATIC SYMBOLS



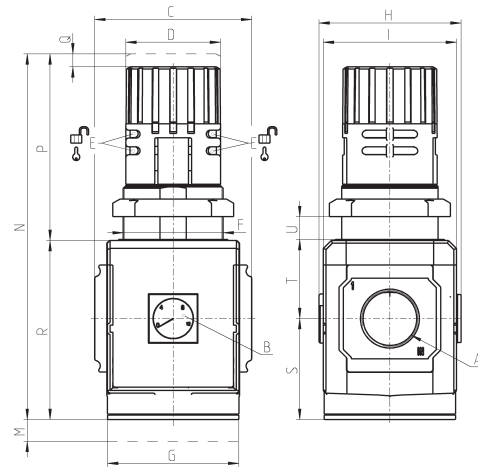
Pr = Regulated pressure (bar)
Q = Flow (NI/min)

Pa = Inlet pressure (bar)



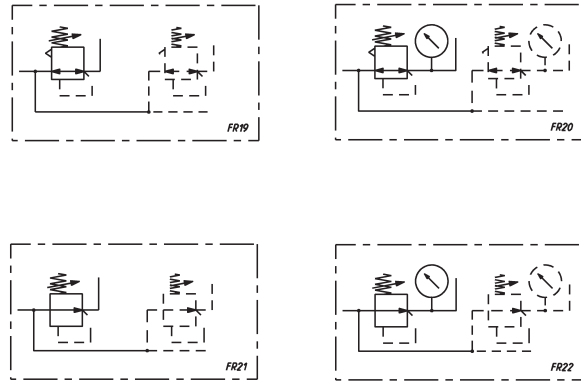
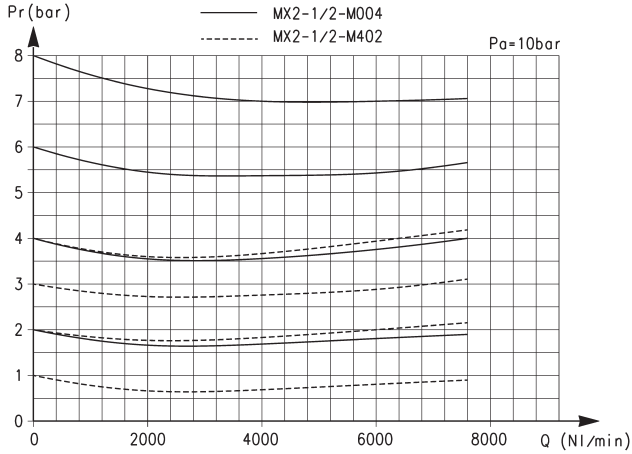
- PR01 = regulator without relieving
- PR02 = regulator with relieving
- PR03 = regulator with relieving and by-pass valve
- PR04 = regulator without relieving with by-pass valve
- PR05 = regulator without relieving and with pressure gauge
- PR06 = regulator with relieving and pressure gauge
- PR07 = regulator with relieving, by-pass valve and pressure gauge
- PR08 = reg. without reliev. with by-pass valve and pressure gauge

Pressure regulators Series MX - dimensions



Mod.	A	B (bar)	C	D	E	F	G	H	I	M	N	P	Q	R	S	T	U	Weight (Kg)
MX2-3/8-R004	G3/8	0 ÷ 12	70	45	∅ 4	M47x1,5	70	74,5	68	45	166	78	5	88	50,5	37,5	0 ÷ 13	0.6
MX2-1/2-R004	G1/2	0 ÷ 12	70	45	∅ 4	M47x1,5	70	74,5	68	45	166	78	5	88	50,5	37,5	0 ÷ 13	0.6
MX2-3/4-R004	G3/4	0 ÷ 12	70	45	∅ 4	M47x1,5	70	74,5	68	45	166	78	5	88	50,5	37,5	0 ÷ 13	0.6
MX3-3/4-R004	G3/4	0 ÷ 12	89,5	54	∅ 4	M57x1,5	75	81	76	45	206	104	5	102	57,5	44,5	0 ÷ 20	1
MX3-1-R004	G1	0 ÷ 12	89,5	54	∅ 4	M57x1,5	75	81	76	45	206	104	5	102	57,5	44,5	0 ÷ 20	1

MANIFOLD REGULATOR - FLOW DIAGRAM and PNEUMATIC SYMBOLS



Pr = Regulated pressure (bar)
Q = Flow (NI/min)

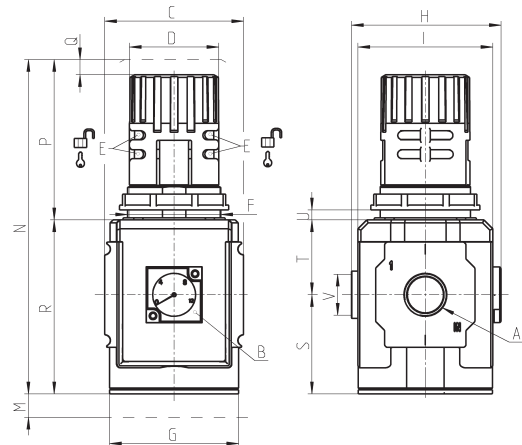
Pa = Inlet pressure (bar)

FR19 = Manifold reg. with relieving and without pressure gauge
FR20 = Manifold reg. with relieving and pressure gauge
FR21 = Manifold reg. without relieving or pressure gauge
FR22 = Manifold reg. without relieving and with pressure gauge

MANIFOLD pressure regulator Series MX - dimensions



The picture on the left side shows that it is possible to assembly a certain number of regulators with the same inlet pressure using proper mounting kits, with or without terminals.
The regulation of the outlet pressure (OUT port) of each regulator can be set up rotating the knob clockwise or anticlockwise until the desired pressure is reached.
This regulation has no effect on pressures of previous or following regulators.



Mod.	A	B (bar)	C	D	E	F	G	H	I	M	N	P	Q	R	S	T	U	V (OUT)	Weight (Kg)
MX2-1/2-M004	G1/2	0 ÷ 12	70	45	Ø 4	M47x1,5	70	75,5	68	45	166	78	5	88	50,5	37,5	0 ÷ 13	G1/2	0,6